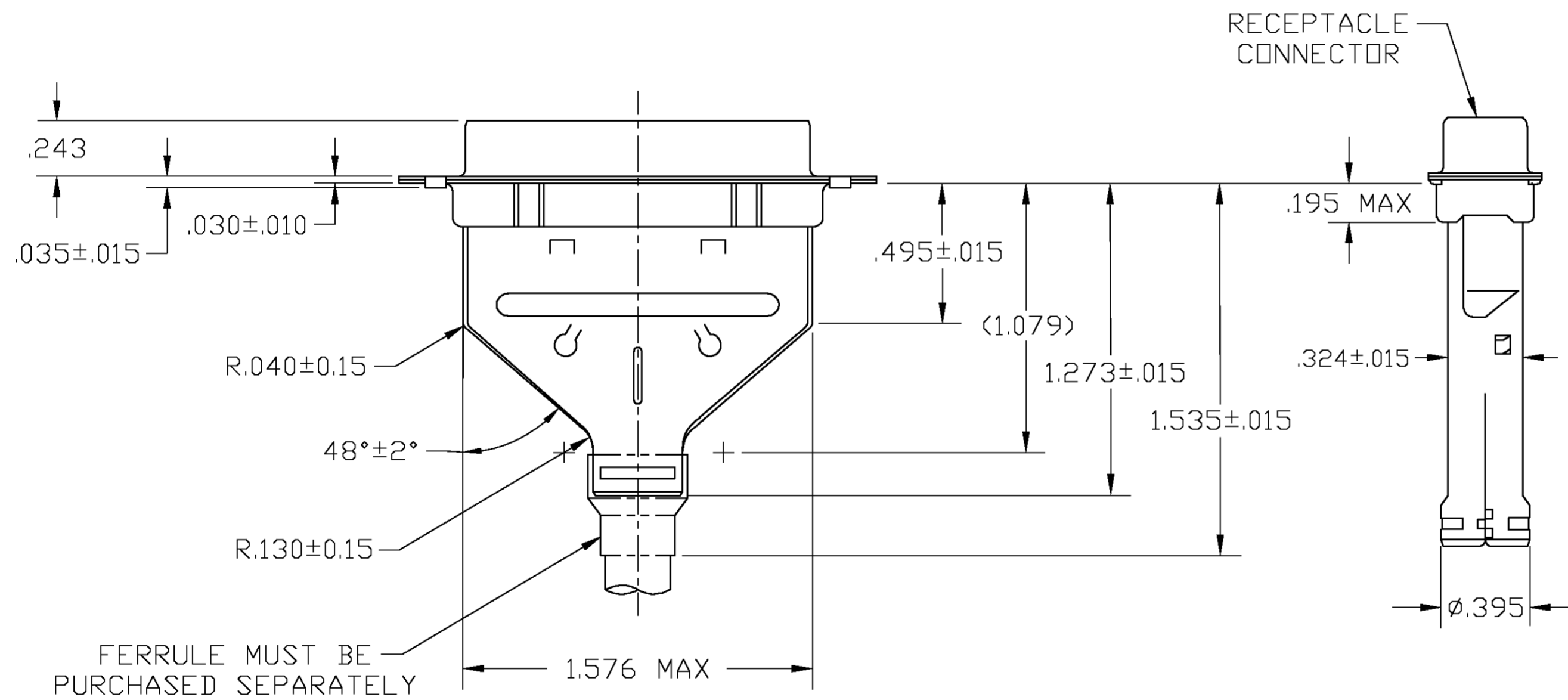
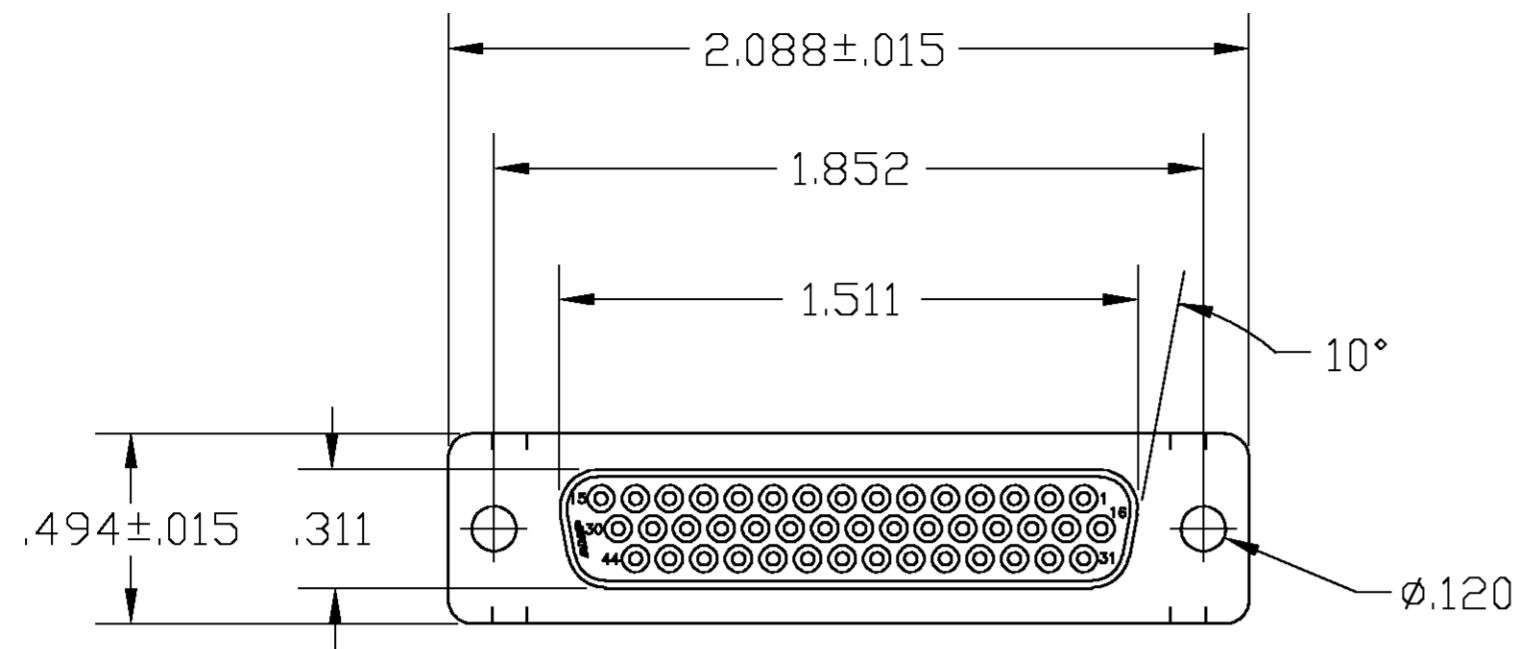


THIS DRAWING IS UNPUBLISHED. RELEASED FOR PUBLICATION  
 © COPYRIGHT BY TYCO ELECTRONICS CORPORATION. ALL RIGHTS RESERVED.

LOC	DIST	REVISIONS			
P	LTR	DESCRIPTION	DATE	DWN	APVD
GP	00	0	RELEASED PER EC 0S13-0257-04	12-21-04	LV JG



FERRULE MUST BE PURCHASED SEPARATELY

- RECEPTACLE ACCEPTS SIZE 22 DF SOCKET CONTACTS WHICH MUST BE ORDERED SEPARATELY.
- ALL PARTS SHIPPED UNASSEMBLED, EACH PART INDIVIDUALLY BULK PACKED
- MOLDED PARTS: FLAME RETARDANT GLASS FILLED NYLON, 94V-0 RATED, COLOR BLACK. SHELLS & SHIELDS: STEEL PER ASTM A109.
- SHELLS & SHIELDS: .000200 MIN TIN PLATE OVER .000100 MIN COPPER UNDERPLATE.

5748636-1  
 PART NUMBER

THIS DRAWING IS A CONTROLLED DOCUMENT.		DWN L. VARELA - DOCK5 12-21-04	Tyco Electronics Corporation	
DIMENSIONS: INCHES		CHK J. GERACE 12-21-04	Harrisburg, PA 17105-3608	
TOLERANCES UNLESS OTHERWISE SPECIFIED:		APVD M. WALMSLEY 12-21-04	NAME	
0 PLC ± -	1 PLC ± -	KIT, RECEPTACLE, SHIELDING		
2 PLC ± -	3 PLC ± .020	HARDWARE, 44 POSN, SIZE 3,		
4 PLC ± -	ANGLES ± -	AMPLIMITE, HDP-20		
MATERIAL	FINISH	SIZE A2	CAGE CODE 00779	DRAWING NO. C=5748636
3	4	WEIGHT -	RESTRICTED TO -	
CUSTOMER DRAWING		SCALE 2:1	SHEET 1 OF 1	REV 0